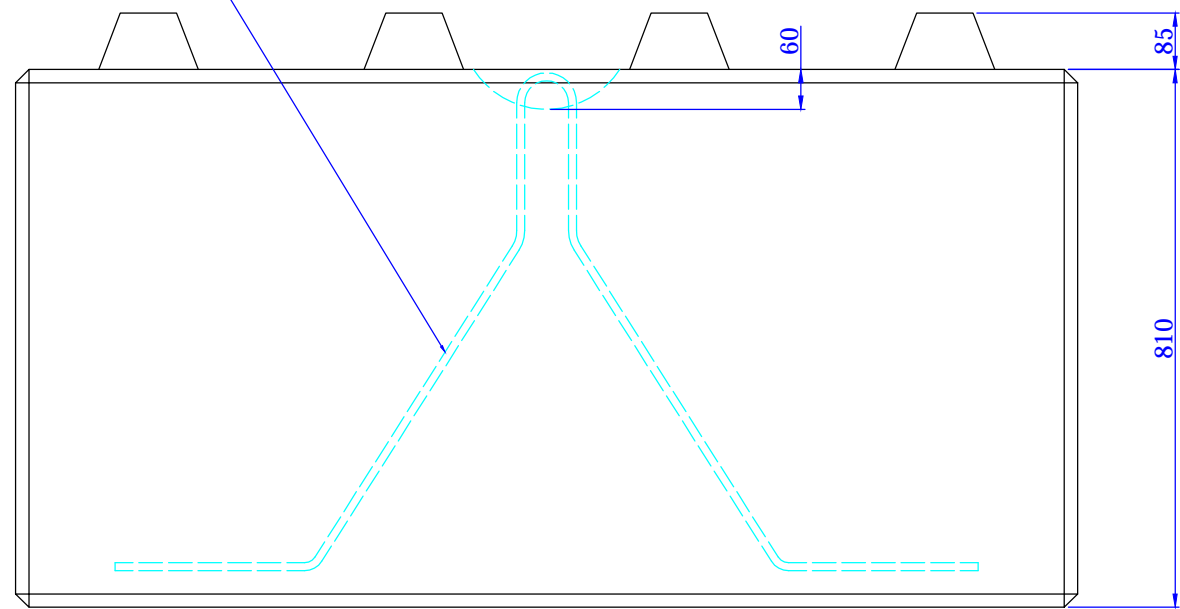
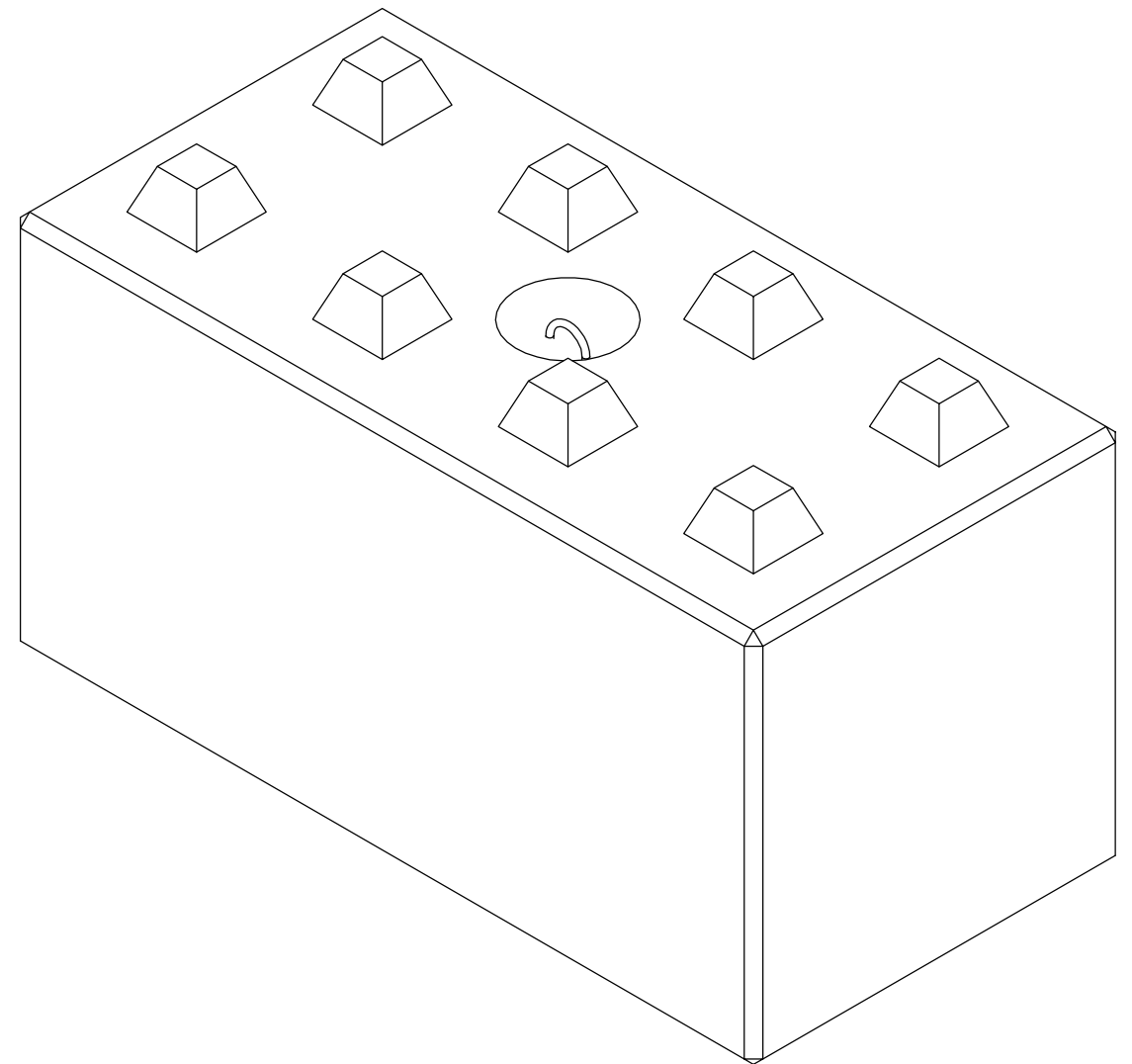


TOP VIEW

Y12-Reo Hook Bar




FRONT VIEW



Note:-
1. All Dimensions are in mm.

Items Listing					Amendments or Issues				
Ref.	Qnt.	Description	Material	Remarks	Revision	Amendment	Date	By	Appr
					R0	As Originally Drawn	NA	NA	NA
					R1				
					R2				
					R3				
					R5				
					R6				
					R7				
					R8				



AWE Group Pty. Ltd.
A.C.N 002 940 301

16 Kerr Road
Ingleburn N.S.W. 2565

Ph(02) 8717 3333
Fax(02) 9754 1351

Client XXXXXX		Drawn By SS
Title CONCRETE BLOCK 1600 x 800 x 810MM		Checked By TB
Project Number		Scale 1: (A0 Sheet)
Drawing Number AWE-CB-001		Date 01-02-2016
Item Number	Issue <small>This drawing is the property of Australian Weighing Equipment Pty Ltd. and must not be copied or disclosed to third parties except with the written permission of Australian Weighing Equipment Pty Ltd.</small>	