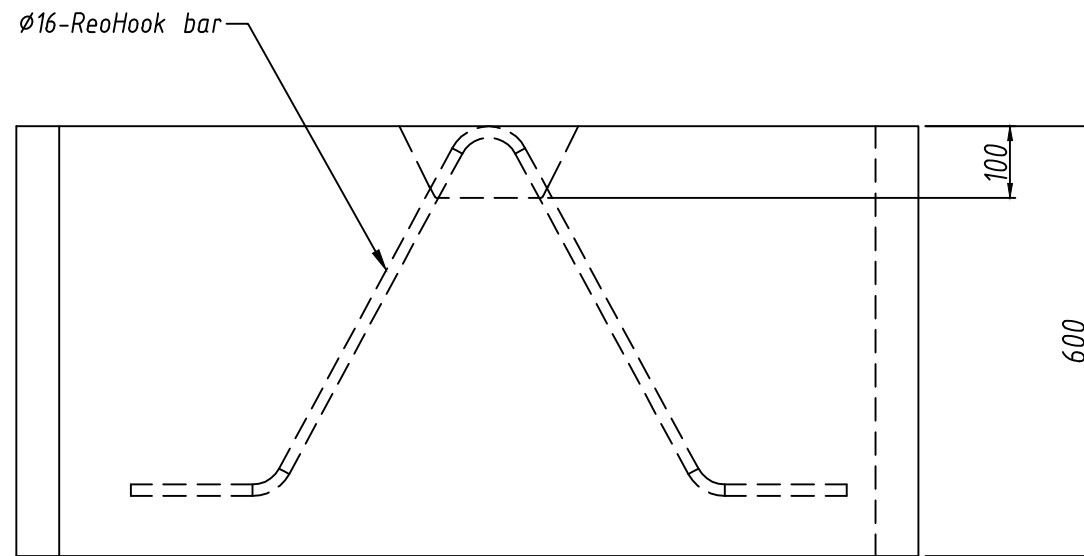
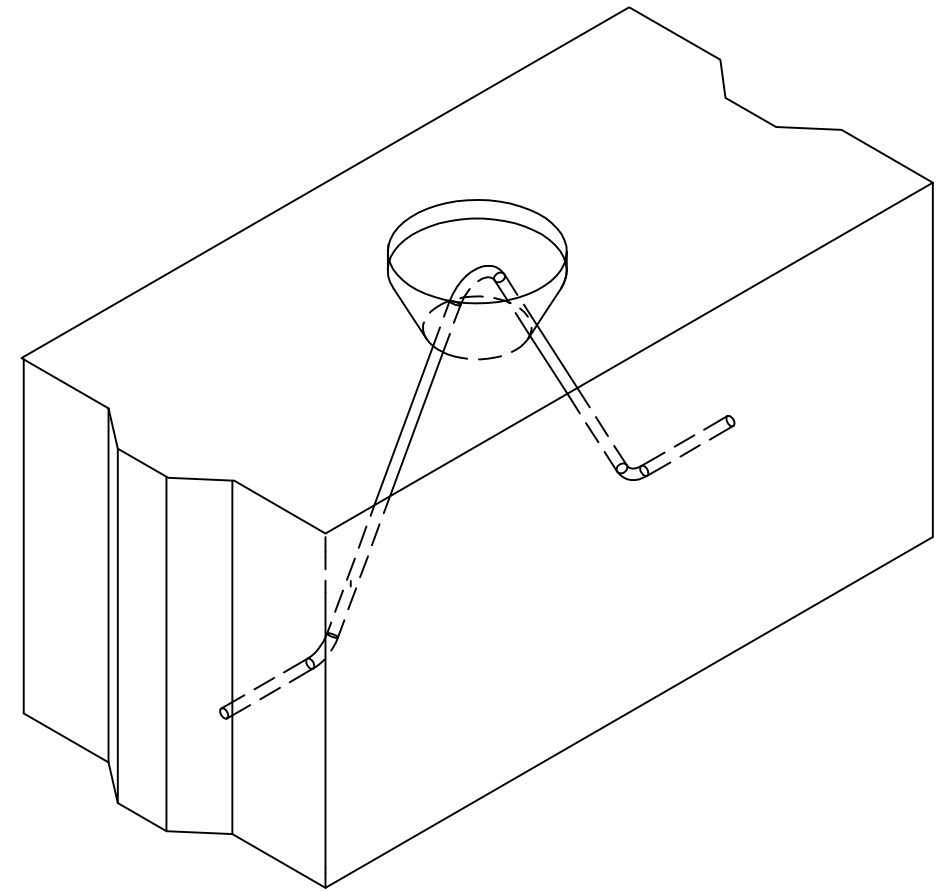


TOP VIEW



FRONT VIEW

Item Listing					Amendments or Issues				
Ref.	Qnt.	Description	Material	Remarks	Revision	Amendment	Date	By	Appr
					R0	As Originally Drawn	NA	NA	NA
					R1				
					R2				
					R3				
					R5				
					R6				
					R7				
					R8				



**Australian Weighing  
Equipment Pty. Ltd.**  
A.C.N. 002 940 301

16 Kerr Road  
Ingleburn N.S.W. 2565

Ph (02) 87173333  
Fax (02) 9754 1351

Client		Drawn By	SS
		Checked By	TB
Title		Scale	1:5 (A1 Sheet)
		Date	08-07-16
Project Number	Drawing Number	Issue	
	Concrete Block-020		

This drawing is the property of Australian Weighing Equipment Pty. Ltd. and must not be copied or disclosed to third parties except with the written permission of Australian Weighing Equipment Pty. Ltd.